
IKA Service-Manual

Overhead Stirrer / Rührwerk EUROSTAR digital

No. 24820.00



IKA®

IKA – Werke GmbH & Co. KG
Janke & Kunkel-Str. 10
D - 79219 Staufen

Phone: 0049 (0)7633 831 139 / 202
Fax: 0049 (0) 7633 500 212
E-Mail: service@ika.de
Internet: www.ika.de

Type: **EUROSTAR digital**Item No.: **2482000**

Voltage: 230V~ 50/60Hz

IKA® Service-Manual

Date: 10-MAY-2007

SZ: 2482000SZe

| Pos | Item No | Bezeichnung | Description | Technical data | Bemerkung | Remark |
|-----|---------|-------------------------|-------------------------|----------------------|---|---|
| 3 | 2549900 | GEWINDESTIFT m. kurz.Z. | HEADLESS PIN | M 5 x 8,0 | | |
| 4 | 2664800 | ZYL.SCHRAUBE | HEXAGON SOCK.HEAD SCREW | M 5,0x30,0 A2 | | |
| 20 | 0342700 | GUMMIFUSS | RUBBER FOOT | D 12,0x 3,6 | | |
| 23 | 2468100 | DECKEL-NETZEINFÜHRUNG | LID POWER SUPPLY | 60x 33x 14 Noryl | | |
| 24 | 2482600 | ZAHNRIEMEN | TOOTHED BELT | 3M Z= 73 12,0br | | |
| 25 | 2468200 | ÜBERGANGSSTÜCK | TRANSITION PIECE | D=58 d=30,0 Noryl | | |
| 28 | 0411700 | ZAHNKRANZFUTTER | CHUCK | 0,5-10mm d=15 | | |
| 32 | 0392500 | KUGELL.AUSGL.SCHEIBE | BEARING WASHER | 24,50x31,70x0,35 | | |
| 33 | 2536900 | BEDIENKNOPF Poti | OPERATORS KNOB | D=33 d=6 | | |
| 34 | 2468700 | IMPULSSCHEIBE | IMPULSE DISC | D=47,0 Z=60 0,20dick | | |
| 35 | 2576500 | O-RING | O-RING | 12,00x 2,50 | | |
| 36 | 2570300 | SCHEIBE gewölbt | WASHER, arched | 52x 24x 0,9 | | |
| 37 | 2469000 | FRONTSCHILD (Folie) | FRONT PLATE | EUROSTAR digital | | |
| 38 | 2468000 | KUNSTSTOFFGEHÄUSE | SYNTHETIC HOUSING | 172x 79x109 Noryl | | |
| 39 | 2577300 | DICHTUNGSBAND selbstkl. | SEALING TAPE | 15,00br 4,0di | | |
| 40 | 2468300 | RÜHRWELLENABDECKUNG | STIRRING SHAFT COVERING | D=22 d=16(Aufn.) | | |
| 41 | 2476800 | ANSCHLUSSLEITUNG | CONNECTING LINE | 3x0,75 2000lg schw | | |
| 42 | 3390900 | ISOLIERSCHLAUCH | INSULATING SLEEVE | D 6,7x0,6 PVC-sw | | |
| 43 | 0872700 | KABELSCHELLE | CABLE CLAMP | L=12,5 sw PA | | |
| 44 | 2537000 | ISOLIERFOLIE | INSULATING FOIL | | | |
| 47 | 2572300 | ISOLIERFOLIE | INSULATING FOIL | Mylar 30x 65,5 0,19 | | |
| 48 | 2574900 | ISOLIERFOLIE | INSULATING FOIL | Mylar 55x 96 0,19 | | |
| 51 | 2676100 | AUSLEGER | BRACKET | D 13xL 175 | | |
| 52 | 2676200 | GEHÄUSE kunststoffbesch | HOUSING | blau | | |
| 53 | 2467900 | INNENTEIL | INNER PART | | | |
| 56 | 2549800 | GLEICHSTROMMOTOR | MOTOR | n 3600V 60W 66,0dc | Bis Fabrik Nummer 00.067000 mit Stechkülsen | Until Serial Number 00.067000 with connector plug |
| | 3014800 | GLEICHSTROMMOTOR | MOTOR | n 3600V 60W 66,0dc | Kabel abisoliert ab Fabrik Nummer 00.070000 | Only with cabel from Serial Number 00.067000 |
| 57 | 2481500 | BLP - NETZ | PBA-MAIN | | Ersetzt durch 2481501 | Replaced by 2481501 |
| | 2481501 | BLP - NETZ | PBA-MAIN | | | |
| 58 | 2549500 | ABTRIEBSWELLE | OFF-DRIVE SHAFT | | | |
| 59 | 2371200 | BLP LOGIK | PRINTED CIRCUIT BOARD | | | |

Type: **EUROSTAR digital**

Item No.:**2482000**

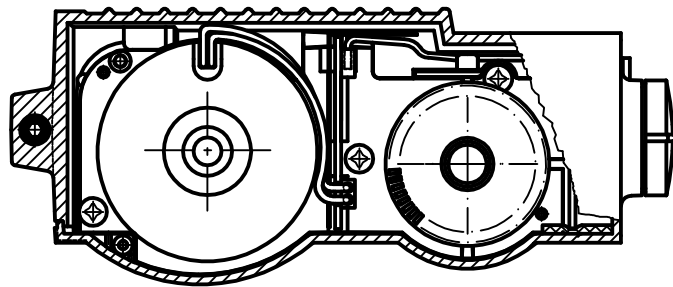
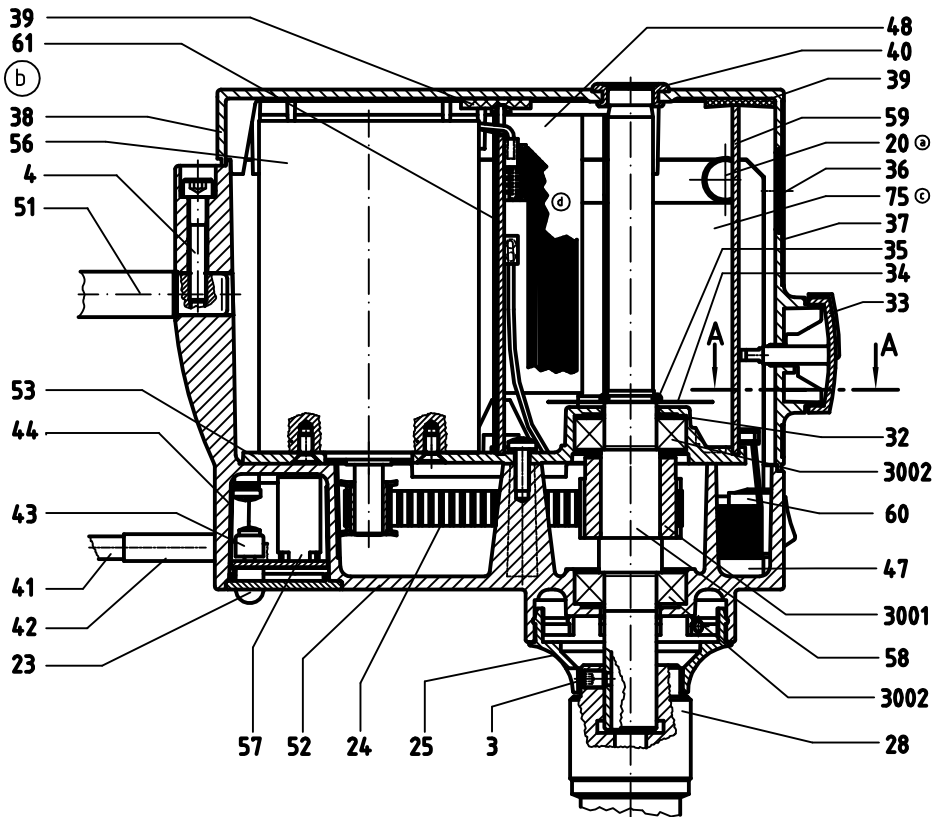
Voltage: 230V~ 50/60Hz

IKA® Service-Manual

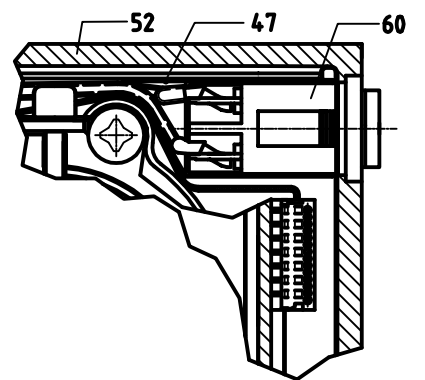
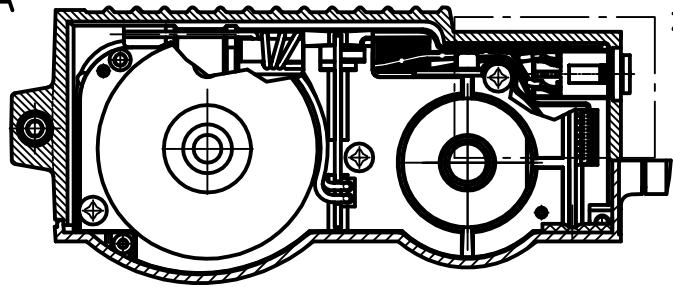
Date: 10-MAY-2007

SZ: 2482000SZe

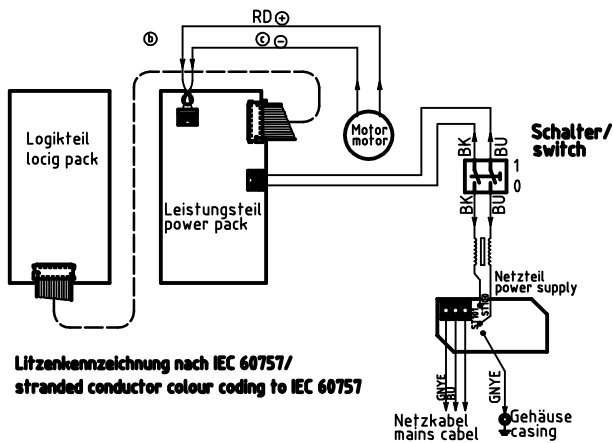
| Pos | Item No | Bezeichnung | Description | Technical data | Bemerkung | Remark |
|------|---------|-------------------------|-----------------------|---------------------|-----------------------|---------------------|
| 60 | 3014700 | WIPPSCHALTER | ROCKER SWITCH | | | |
| 61 | 2371700 | BLP LEISTUNG | PRINTED CIRCUIT BOARD | 230 | Ersetzt durch 3014500 | Replaced by 3014500 |
| | 3014500 | BLP LEISTUNG | PRINTED CIRCUIT BOARD | 230 | | |
| 62 | 2482400 | FLACHBANDLEITER | FLAT STRIP CONDUCTOR | 14pol / 231lg gekn. | | |
| 75 | 0435000 | ELEKTROKLEBEBAND | ELECTRO ADHESIVE TAPE | 38mm breit | | |
| 3001 | 2482200 | SUPER TORQUE SCHEIBE | SUPER TORQUE DISC | Z=31 | | |
| 3002 | 2601300 | RILLENKUGELLAGER SoFett | BALL RACE BEARING | 32x 15x 9 6002.2Z | | |



A-A



© Verdrahtungsplan/wiring diagram



| | | |
|------|----------------------------------|---|
| IKA® | Servicezeichnung/service drawing | |
| | EUROSTAR digital | |
| | 24 820 00SZ | e |
| | 14.03.07 | |